

Design S9025 / Beanie in Green Shades



Then work rounds 1 – 6 of Lace pat, then work round 3 once more = 7 rounds. Then work 1 round single crochet, decreasing 2 stitches evenly around = 100 stitches.

Change to May Green and work in Fancy Pat, working rounds 1 – 6 once, then rounds 3 and 4 once more. Total length is approximately 8¼"/21 cm. Work 1 round single crochet, increasing 2 stitches evenly around = 102 stitches.

Change to Apple Green and work decreases following 7 rounds of Chart 3. Total length is approximately 11½"/29 cm.

Finishing

Cut yarn and draw through remaining stitches. Pull together tightly and secure end.

Size: 21-22"/54-56 cm head circumference

Materials:

Schachenmayr Catania, 1¼oz/50g each in Fango #00387, May Green #0389 and Apple Green #0205.
 1 Milward crochet hook size US G-6 (4 mm),
 tapestry needle.

Lace Pat:

Work following Chart 1, multiple of 4 sts.

Fancy Pat:

Work following Chart 2, multiple of 5 sts.

Decrease Pat:

Work following Chart 3, multiple of 6 sts.

Note: The hat is worked in the round from the lower edge to the top. Begin every round with chain 1 (counts as first single crochet) or chain 3 (counts as first double crochet), and join every round with slip stitch in top of beginning chain.

Gauge: 20 single crochet and 23 rows = 4 x 4"/10 x 10 cm. Take time to check gauge.

Hat

With Fango chain 102 and join with slip stitch in first chain. For the brim, work 7 rounds single crochet over 102 sts = 1¼"/3cm.

Design S9025 / Beanie in Green Shades

Chart 1: Lace Pat

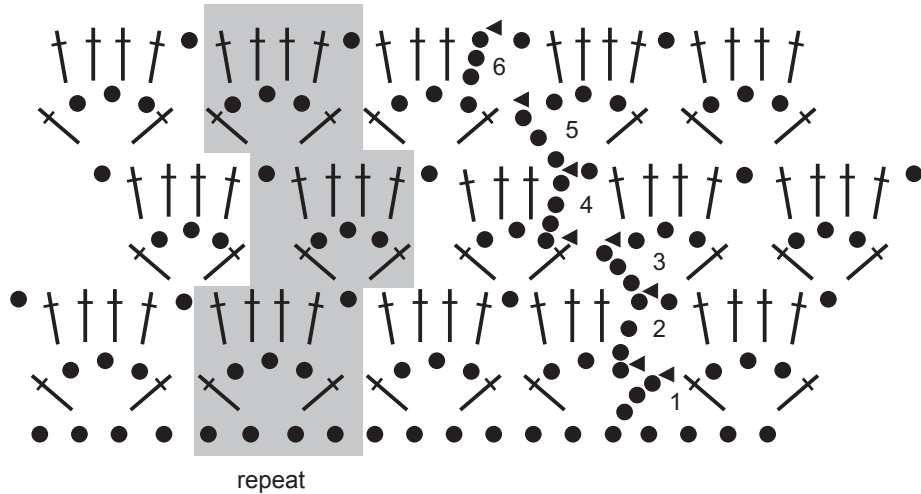
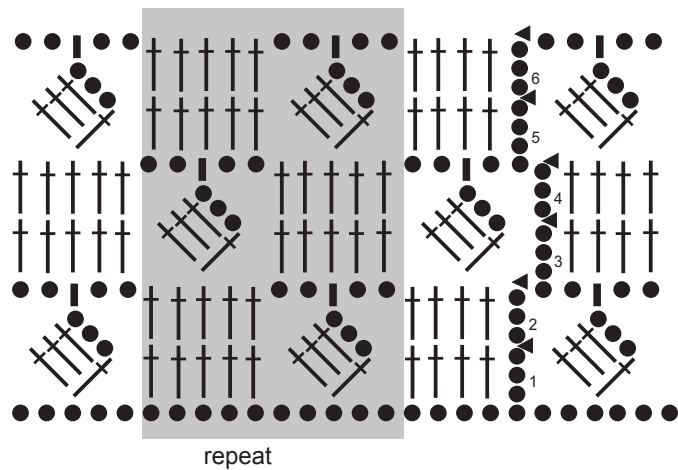


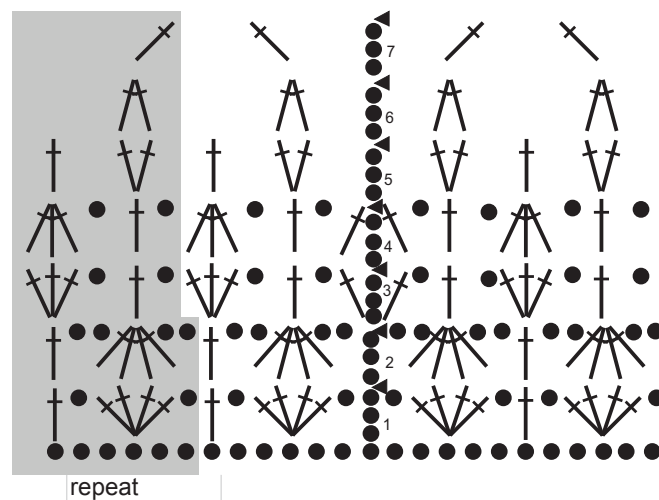
Chart 2: Fancy Pat



Stitch Key

- = chain
- ◀ = slip stitch
- ┆... = single crochet
- ┆... = double crochet
- ∧... = work 2 double crochet together
- ∧... = work 3 double crochet together
- ∧... = work 4 double crochet together

Chart 3: Decrease Pat



When symbols are grouped together at the bottom, then work the number of stitches shown into one space or stitch.